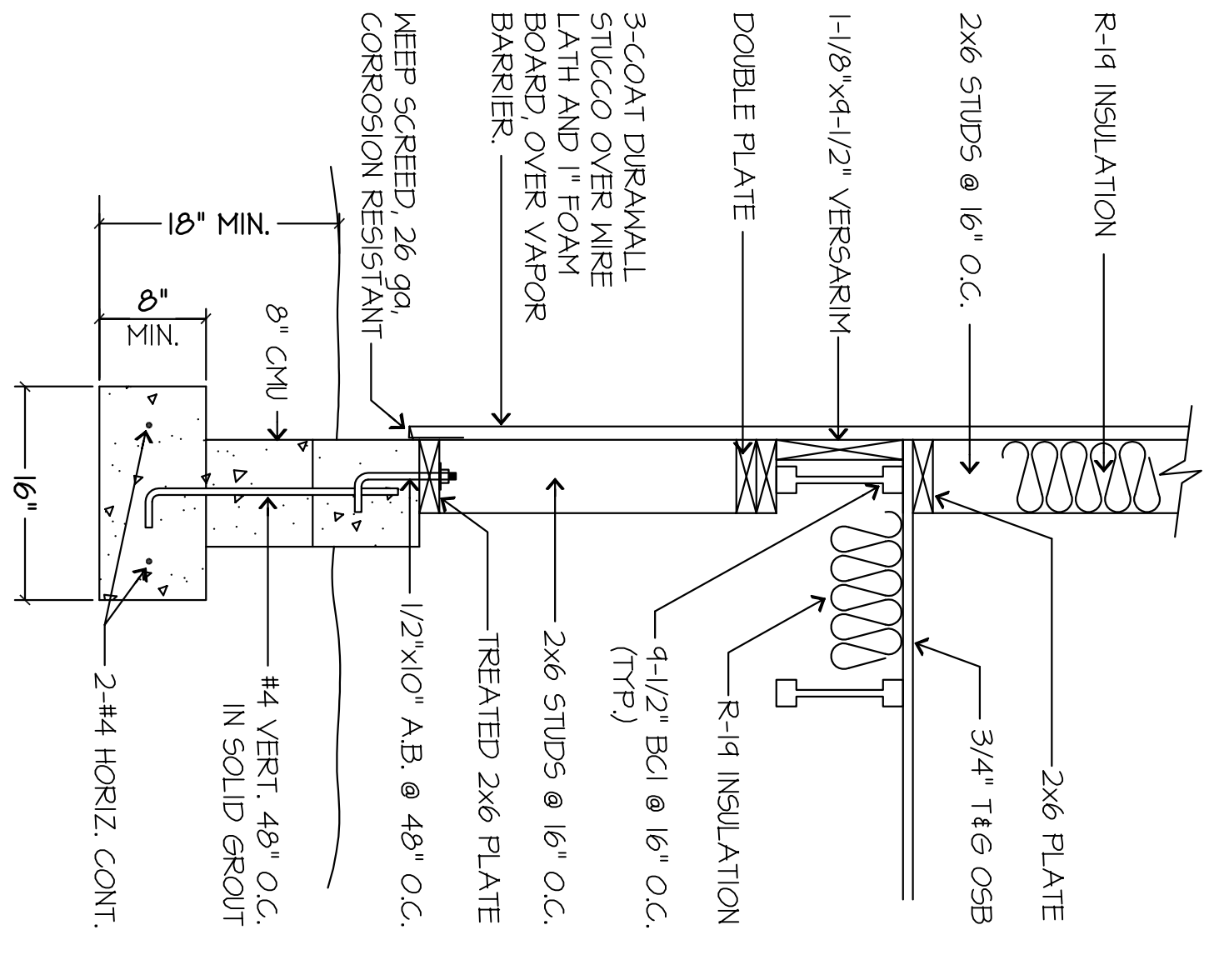
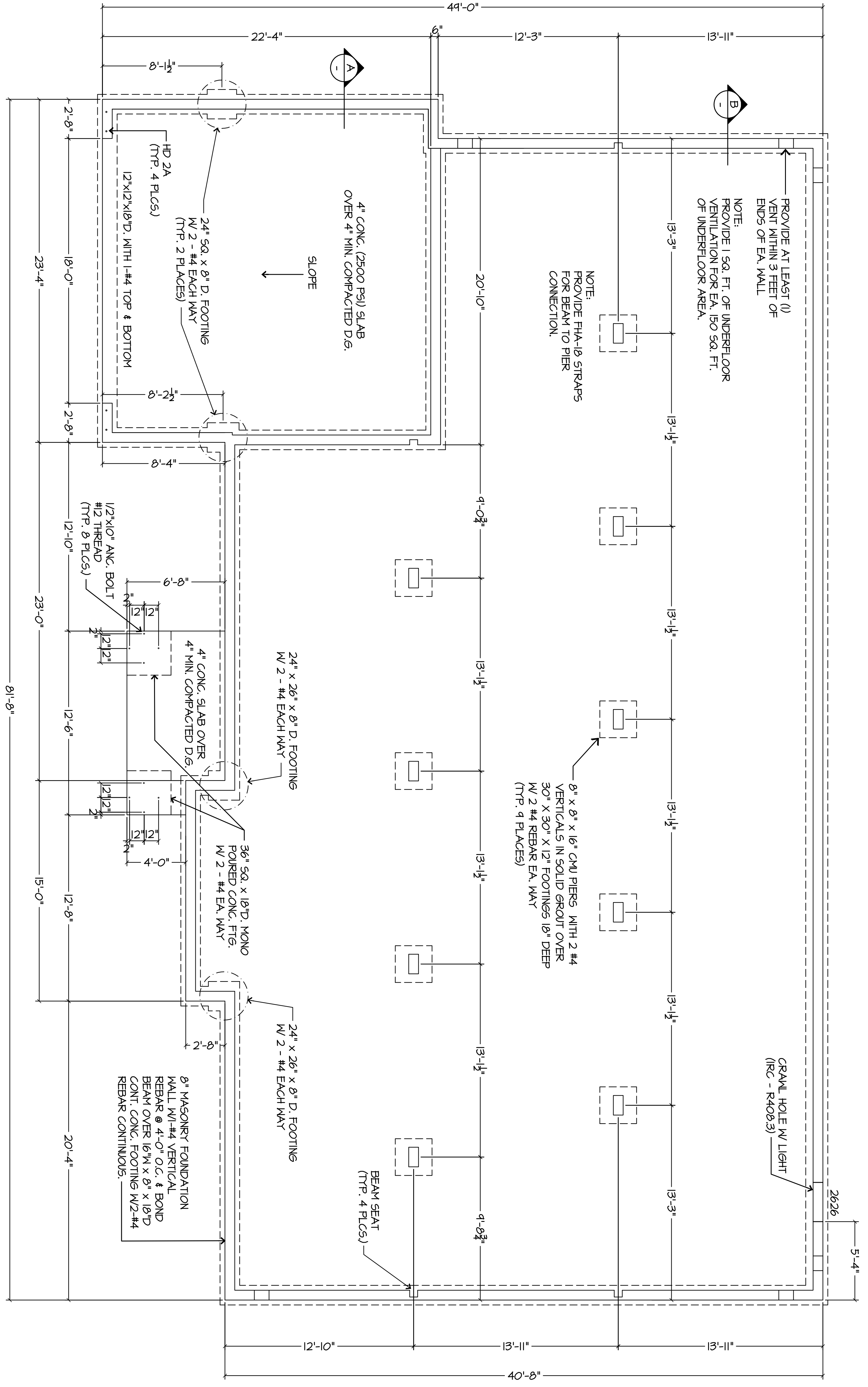


SECTION A-A
SCALE: 1" = 1'-0"



SECTION B-B
SCALE: 1" = 1'-0"



FOUNDATION PLAN
SCALE: 1/4" = 1'-0"

- GENERAL NOTES:
1. GROUND UFER MINIMUM 20'-0" OF #4 BARE COPPER.
 2. STEPPED FOUNDATION REQUIRED WHERE GRADE SLOPES MORE THAN 1'-0" IN 10'-0" WITH CONTINUOUS REBAR.
 3. ADDRESS NUMBER TO BE VISIBLE AND LEGIBLE FROM STREET.