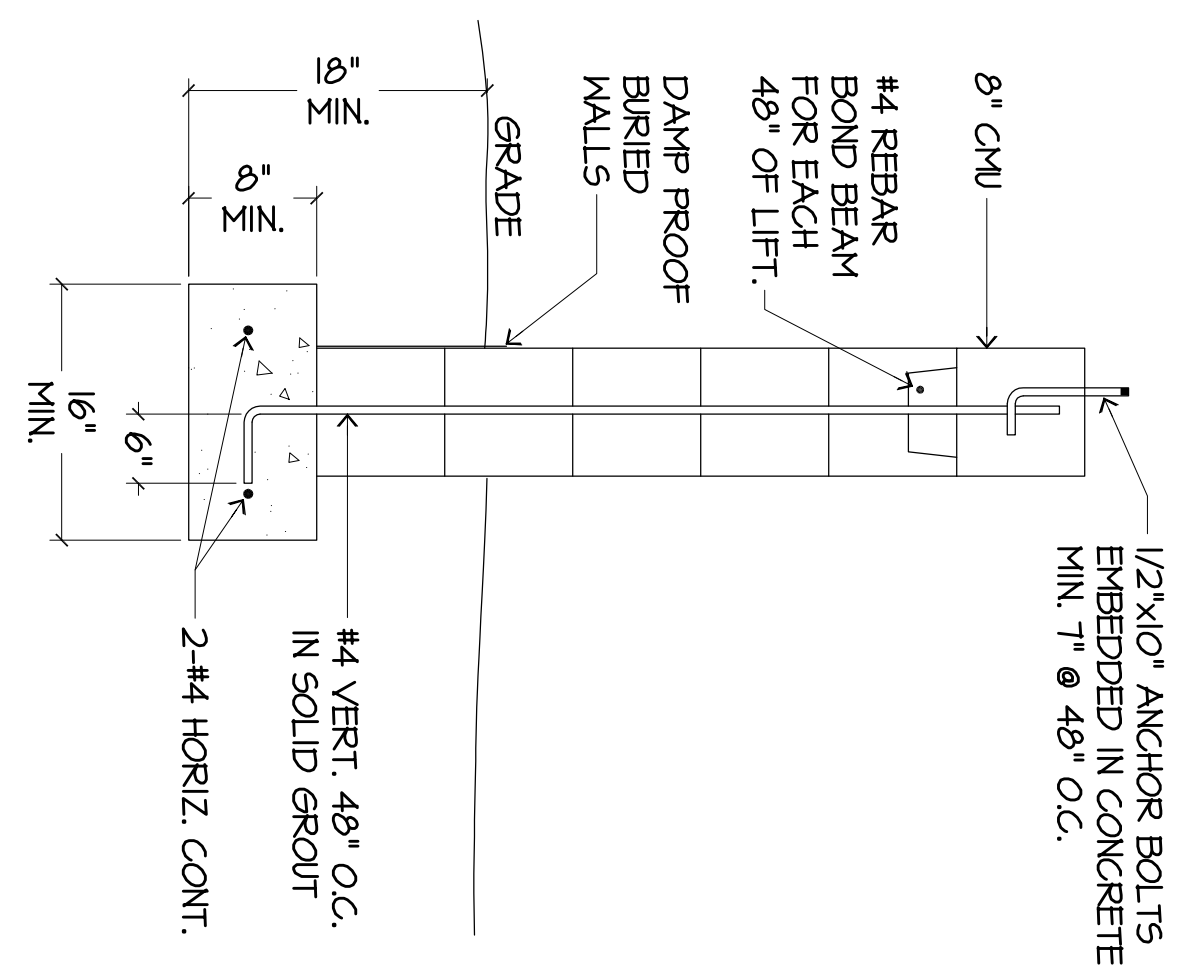
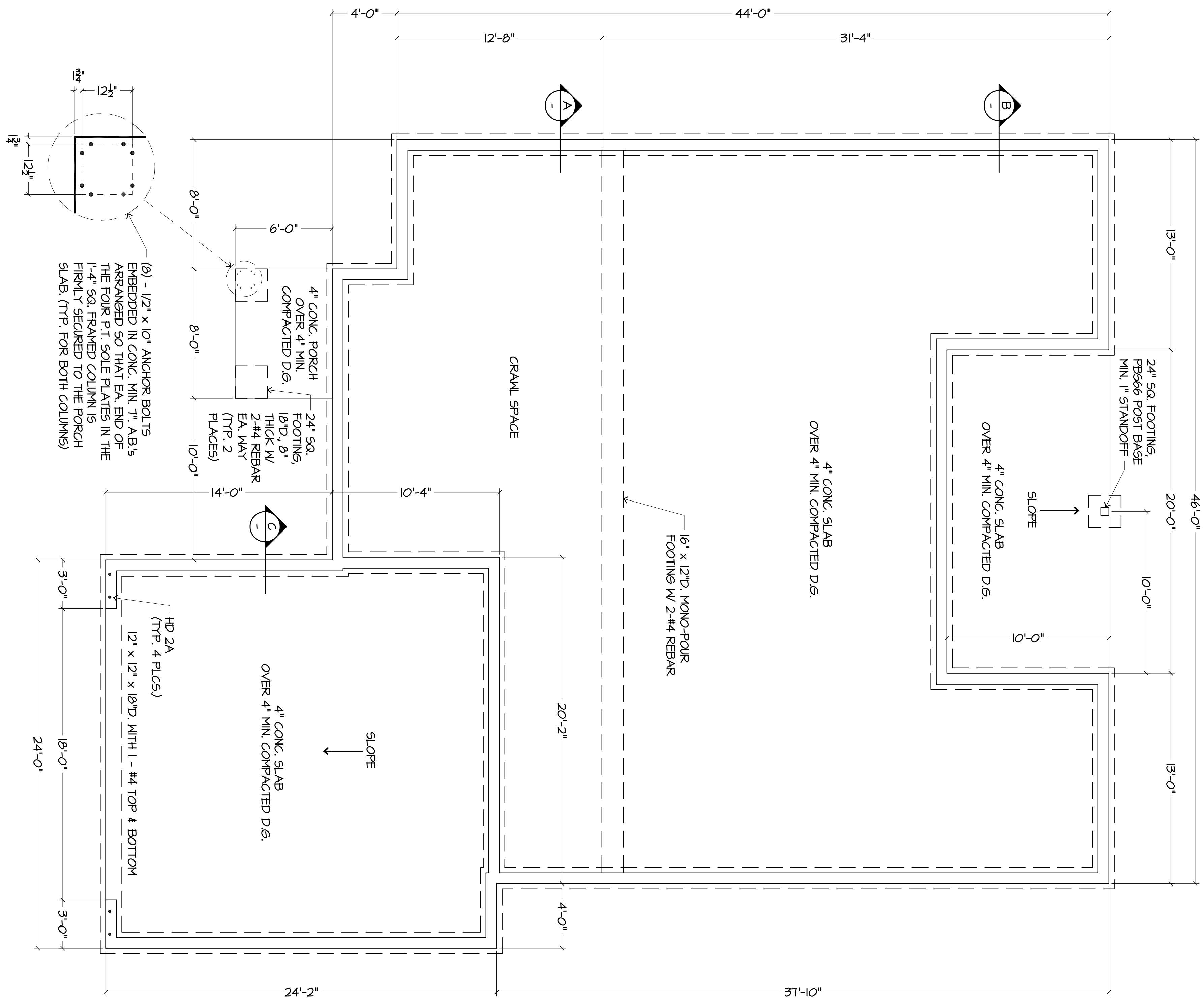


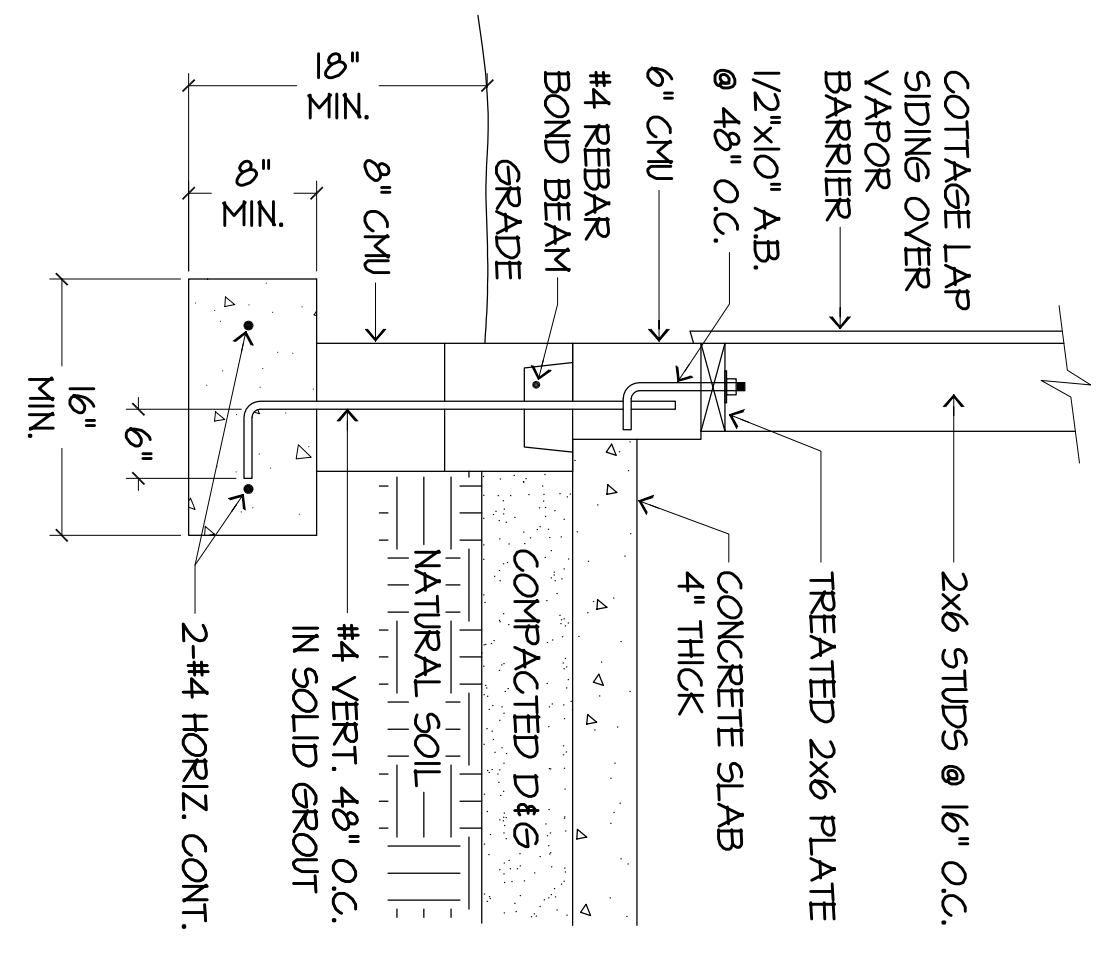
SECTION B
SCALE: 1" = 1'-0"



SECTION A
SCALE: 1" = 1'-0"



FOUNDATION PLAN
SCALE: 1/4" = 1'-0"



SECTION C
SCALE: 1" = 1'-0"

- GENERAL NOTES:**
1. GROUND USER MINIMUM 20'-0" OF #4 BARE COPPER.
 2. STEPPED FOUNDATION REQUIRED WHERE GRADE SLOPES MORE THAN 1'-0" IN 10'-0" WITH CONTINUOUS REBAR.
 3. SLAB CONCRETE TO BE 3000 PSI WITH FIBERGLASS ADDITIVE.
 4. FOOTING CONCRETE TO BE 2500 PSI MINIMUM.
 5. CRAWL SPACE ACCESS TO BE 18"x24" MINIMUM.
 6. MINIMUM UNDER FLOOR CLEARANCES TO BE 18" TO FLOOR JOIST AND 12" TO GIRDER BEAMS.
 7. PROVIDE 1 SQ. FT. OF CRAWLSPACE VENTILATION FOR EA. 150 SQ. FT. OF UNDERFLOOR AREA.
 8. PLUMBING PIPES PASSING THROUGH CONCRETE SHALL BE APPROPRIATELY SLEEVED.

Job no.	041403
Date	NB
Drawn by	Noted
Checked by	Noted
Scale	Noted
Revised	
Line	02/03/09

REVISIONS	BY

NEW RESIDENCE
FOR LUKE ASHBY
300 N. TRAILWOOD, PAYSON, AZ 85541

FOUNDATION PLAN

SHEET NO. **A2**

SHEET 2 OF 8